



EA-R

Extruded Aluminum Recessed Exit with Tamper Resistant Polycarbonate Face

GENERAL DESCRIPTION

The EA-R recessed LED exit sign provides a sleek; low-profile compact design, packaging the highest level of quality and even illumination with the easiest and quickest installation available in the market today.

HOUSING & FACE DESIGN

The "picture frame" extruded aluminum exit mounts easily for new and, with clips provided, old work installation. Stencils are made of the same material with field selectable universal snap out chevron's. A 5mm Polycarbonate shield provide excellent protection from abuse.

ILLUMINATION

Illuminated by long lasting high output ALInGaP LEDs with minimum degradation over life of LEDs. Unit draws less than 3 watts and meets all Energy Star Requirements. Available in red or green.

ELECTRONICS

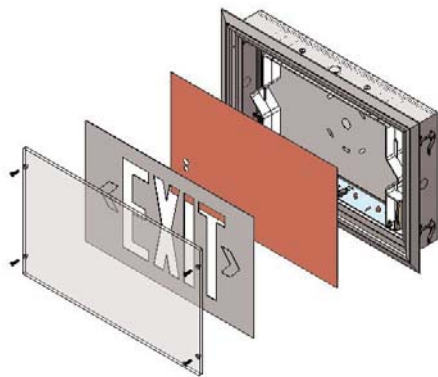
Standard Heavy duty Transformer. Input is dual voltage 120/277 60Hz. Unit is damp location listed 50°-104°F (10°-40°C). EM option features solid state design with low voltage disconnect, AC lockout, brown out protection, and AC indicator LED with test switch. Battery is standard 4 AA Cells Nickel Cadmium. Advance technology circuit board designed to accept a broad range of factory installed optional features.

CODE COMPLIANCE

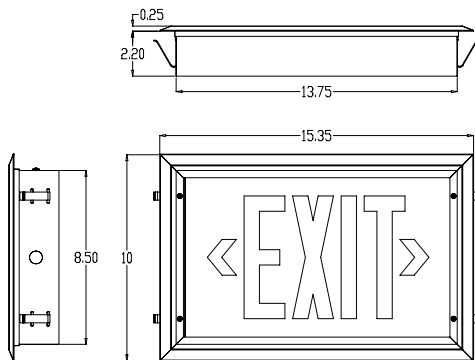
Meets UL 924 for damp location listing, meets or exceeds NFPA, NEC, and OSHA illumination standard.

WARRANTY

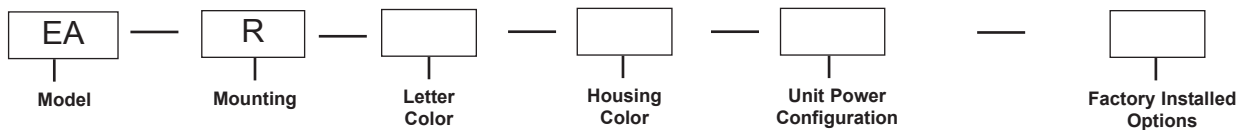
5 years on housing and electronics with a 7 year pro rated warranty on the battery.



DIMENSIONS



COMMERCIAL SERIES



| Model | Mounting | Letter Color | Housing Color | Unit Power Configuration | Factory Installed Options |
|-------------------|-------------|------------------|--|--|--|
| EXTRUDED ALUMINUM | R- Recessed | R Red G Green | W White B Black CONTACT FACTORY FOR OTHER COLORS OR FINISHES | AC AC Only EM Emergency DI Two Transformer Input | FL Flasher Only. Flashes when unit goes into emergency condition. Battery Units Only FA Fire Alarm Interface, Flashes in both modes when signal from fire alarm panel is received (6 to 24 VDC). FLA FL option with audible alarm. Battery Units Only FAA FA option with audible alarm. SW Special wording available SD Self Diagnostics 220 220 VAC Input |