



| | |
|----------------|------|
| CATALOG NUMBER | TYPE |
| | |
| PROJECT NAME | DATE |
| | |

SPECIFICATIONS

FEATURES

- Extruded aluminum edgelit EXIT-EM combination unit
- Designed for surface mounting

CONSTRUCTION

- Extruded aluminum construction with a die-cast mounting plate
- Field-selectable chevron directional indicator offers a choice of direction on-site
- Heads are constructed of UV stable thermoplastic
- Features a choice of 6" or 8" EXIT letters; 100ft viewing distance

LAMP

- Utilizes two 1W LED adjustable heads in emergency mode; contact factory for additional lamp options
- Exit face is illuminated by long-lasting high-output AlInGaP LEDs with a rated life of 10+ years

ELECTRONICS

- Dual-voltage input capability: 120/277V
- Low-voltage disconnect
- AC lockout installation
- Brownout protection
- AC indicator light with test switch

BATTERY

- Nickel-cadmium battery comes standard
- Operating temperature range: 0 °C to 40 °C
- Provides a minimum of 90 minutes of illumination in emergency mode

COMPLIANCE

- Meets or exceeds UL 924, NFPA 101, NEC and OSHA illumination standards

WARRANTY

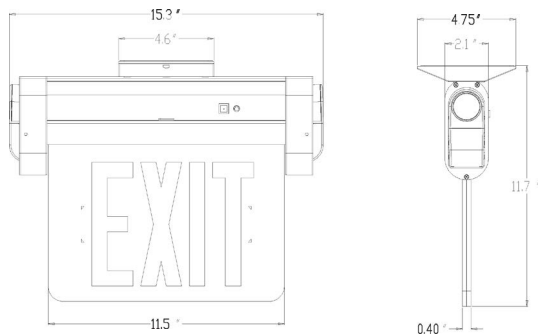
- 5-year warranty on housing and electronics. Battery is prorated

LG-700-LED

EXTRUDED ALUMINUM EDGE-LIT COMBO UNIT



DIMENSIONS



ORDERING GUIDE

| MODEL | NO. OF FACES | LETTERS/BACKGROUND | TRIM-EXTRUSION FINISH |
|---|--------------|--|---|
| LG-700-LED Extruded Aluminum Edge-Lit Combo with 6" Lettering | 1 2 | RC ¹ Red on Clear RW Red on White RM Red on Mirrored GC ¹ Green on Clear GW Green on White GM Green on Mirrored | BA Brushed Aluminum WHT Powder Coated White BLK Powder Coated Black DB Dark Bronze Finish BR Brass Type Face Plate |
| LG-8-700-LED Extruded Aluminum Edge-Lit Combo with 8" lettering | | | |

Notes:

1. Single face only