



CATALOG NUMBER	TYPE
PROJECT NAME	DATE

SPECIFICATIONS

FEATURES

- Thermoplastic edgelit exit sign with a sleek, compact design
- Includes canopy for ceiling, end, and wall mounting
- Fast, easy installation
- Part of Astralite's quick ship program

CONSTRUCTION

- UV-stable, impact-resistant thermoplastic housing; meets UL94V-0 flame rating
- EXIT letters are 6" tall with 3/4" stroke; 100 ft viewing distance
- Field-selectable chevron directional indicator offers a choice of direction on-site

LAMP

- AllnGaP LEDs with a rated life of 10+ years

ELECTRONICS

- Dual-voltage input capability: 120/277V
- Low-voltage disconnect
- AC indicator light with test switch
- Brownout protection

BATTERY

- Nickel-cadmium battery comes standard
- Provides a minimum of 90 minutes of illumination upon loss of power
- Operating temperature range: 10-40° C

COMPLIANCE

- Meets or exceeds UL 924, NFPA 101, NEC and OSHA illumination standards

WARRANTY

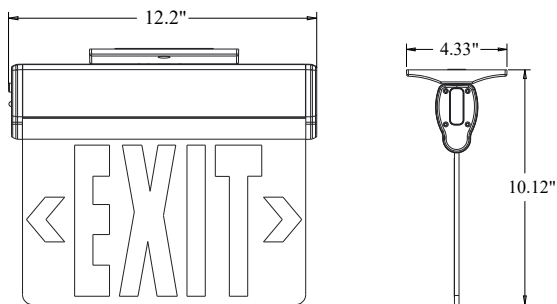
- 5-year warranty on housing and electronics. Battery is prorated

PLX

THERMOPLASTIC EDGELIT EXIT SIGN



DIMENSIONS



Material	Mounting	Battery	Code Compliance
Thermoplastic	Ceiling / Wall / End	Nickel Cadmium	UL 924

ORDERING GUIDE

MODEL	NO. OF FACES	LETTER/BACKGROUND	HOUSING COLOR	POWER CONFIGURATION
PLX Thermoplastic Edgelite Exit	1 Single 2 Double	RC ¹ Red Letters on Clear Background RM Red Letters on Mirrored Background GC ¹ Green Letters on Clear Background GM Green Letters on Mirrored Background	W White B Black	EM Battery Backup

Notes:
1. Single face only