



CATALOG NUMBER	TYPE
PROJECT NAME	DATE

SPECIFICATIONS

FEATURES

- Maintenance-free self-luminous sign; requires no electrical wiring or batteries
- No external light or power is required for activation
- Non-electric with no maintenance required

CONSTRUCTION

- UV stable thermoplastic housing
- Universal mounting brackets

ILLUMINATION

- Internally illuminated by sealed tritium gas
- Lamps guaranteed for up to 20 years of continuous operation.

COMPLIANCE

- ETL listed
- Meets UL 924 and NFPA 101, NEC Art 500 Class I and II conditions

WARRANTY

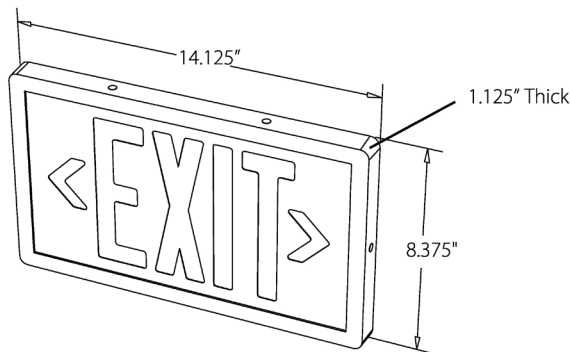
- Up to 20 years or as ordered for illumination

SL

SELF-LUMINOUS EXIT



DIMENSIONS



ORDERING GUIDE

MODEL	LIFE	NO. OF FACES	FACE COLOR	HOUSING COLOR	OPTIONS
<input type="text"/> SL Self-Luminous Exit	<input type="text"/> 10 10 Years 20 20 Years	<input type="text"/> 1 Single 2 Double	<input type="text"/> G Green R Red	<input type="text"/> B Black W White	<input type="text"/> WG Wire Guard AF Aluminum Frame PC Polycarbonate Window RM Recessed Mount IF Institutional Frame PM Pendant Mount SC Security Cover