



CATALOG NUMBER	TYPE
PROJECT NAME	DATE

## SPECIFICATIONS

### FEATURES

- Galvanized steel exit sign
- Designed with strength and durability in mind
- Choice of 6" or 8" EXIT letters
- Universal mounting; ships with canopy kit and extra face panel for field-conversion to double face

### CONSTRUCTION

- Galvanized steel construction
- Knockout directional indicators
- Three coats of sealed lacquer are applied to the housing and mounting plate to ensure longevity and protection from discoloration and oxidation

### LAMP

- AllnGaP LEDs with a rated life of 10+ years

### ELECTRONICS

- Dual-voltage input capability: 120/277V
- Low-voltage disconnect
- AC indicator light with test switch
- Brownout protection

### BATTERY

- EM option comes standard with nickel-cadmium battery
- Provides a minimum of 90 minutes of illumination upon loss of power

### COMPLIANCE

- Meets or exceeds UL 924, NFPA 101, NEC and OSHA illumination standards

### WARRANTY

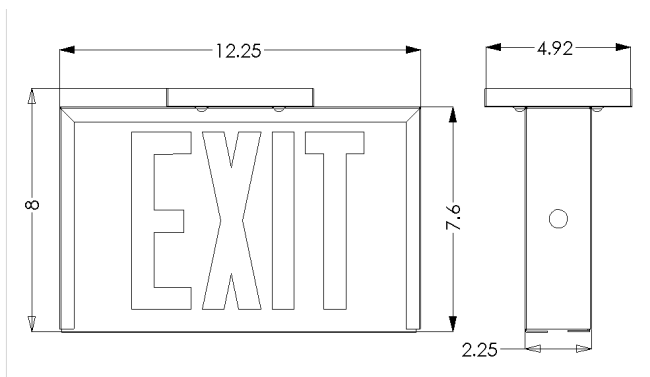
- 5-year warranty on housing and electronics. Battery is prorated

## ST-GAL

GALVANIZED STEEL L.E.D. EXIT SIGN



## DIMENSIONS



Material	Mounting	Battery	Code Compliance	Dimensions
Steel	Wall / Ceiling / End	Nickel-cadmium	UL 924	12.25" W X 7.6" H X 4.92" D

## ORDERING GUIDE

MODEL	FINISH	MOUNTING	LETTER HEIGHT	LETTER COLOR	POWER CONFIGURATION	OPTIONS
ST Steel LED Exit Sign	WS Painted White Steel GAL Galvanized Steel	U <sup>1</sup> Universal Mounting	6 6 Inch Letters 8 8 Inch Letters	R Red G Green	AC AC Only EM Battery Backup	DI Dual Input SW Special Wording 220 220 VAC Input

### Notes:

- Includes canopy, 2 Stencils, 2 Diffusers, and 1 Back