



CATALOG NUMBER	TYPE
PROJECT NAME	DATE

SPECIFICATIONS

FEATURES

- Edgelit exit sign with extruded aluminum trim
- Face design features 6" EXIT letters with CT symbol of access
- Designed for surface ceiling and surface wall mounting

CONSTRUCTION

- Aluminum housing and acrylic panel
- Replaceable chevron directional indicator offers a choice of direction on-site
- Acrylic face panels feature 6" EXIT letters with 3/4" stroke and CT symbol of access

LAMP

- AlGaInP LED with a rated life of 10+ years

ELECTRONICS

- Dual voltage input 120/277V
- Brownout protection
- Low-voltage disconnect
- AC indicator light with test switch

BATTERY

- EM option comes standard with nickel-cadmium battery, and provides a minimum of 90 minutes of illumination upon loss of power

COMPLIANCE

- Meets or exceeds UL 924, NFPA 101, NEC and Osha illumination standards

WARRANTY

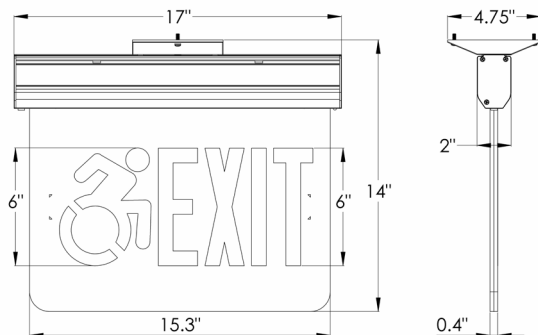
- 5 year warranty on housings and electronics

ELX-HC-CT-USM

EDGE LIT EXIT SIGN WITH CT SYMBOL OF ACCESS



DIMENSIONS



Material	Mounting	Battery	Code Compliance
Aluminum Housing / Acrylic Panel	Ceiling or Wall	Nickel-cadmium	UL924

ORDERING GUIDE

MODEL	MOUNTING TYPE	NO. OF FACES	LETTER/BACKGROUND	HOUSING COLOR	POWER CONFIGURATION	OPTIONS
ELX-HC-CT	USM Universal Surface	1 Single 2 Double	RC ¹ Red on Clear RM Red on Mirrored	BA Brushed Aluminum	AC AC Only EM Battery Backup	PK Pendant Kit REM Remote Capability

Notes:

1. Single face only