



CATALOG NUMBER	TYPE
PROJECT NAME	DATE

## SPECIFICATIONS

### FEATURES

- Extruded aluminum edgelit combo with the International Symbol of Access (ISA)
- Slim profile design
- Designed with symbol of access
- Available for ceiling or wall mounting

### CONSTRUCTION

- Extruded aluminum trim with die cast mounting plate
- Field-selectable chevron directional indicator offers a choice of direction on-site
- Face panel features 6" EXIT letters with 3/4" stroke, and International Symbol of Access; 100ft viewing distance

### LAMP

- Utilizes two high-efficiency 1W LED heads in emergency mode; higher wattage lamps are available upon request, consult factory for more options
- Face panel illuminated by AlInGaP LEDs with a rated life of 10+ years

### ELECTRONICS

- Dual-voltage input capability: 120/277V
- Brownout protection
- Low-voltage disconnect
- AC indicator light with test switch

### BATTERY

- Nickel-cadmium battery is standard
- Operating temperature range: 0 °C to 40 °C
- Provides a minimum of 90 minutes of illumination in emergency mode

### COMPLIANCE

- Meets or exceeds UL 924, NFPA 101, NEC and OSHA illumination standards

### WARRANTY

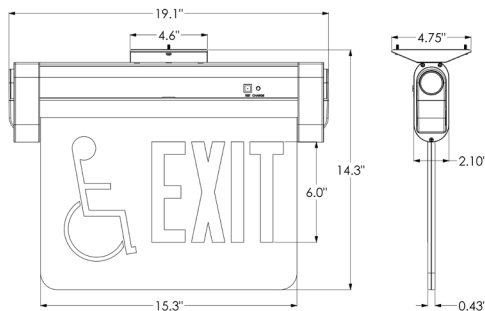
- 5-year warranty on housing and electronics. Battery is prorated

## LG-700-LED-HC

ALUMINUM EDGELIT COMBO WITH ISA



## DIMENSIONS



## ORDERING GUIDE

MODEL	NUMBER OF FACES	LETTER/BACKGROUND	TRIM COLOR
<b>LG-700-LED-HC</b> Extruded Aluminum Edgelit Combo with ISA	<b>1</b> Single <b>2</b> Double	<b>RC<sup>1</sup></b> Red Letters on Clear Background <b>RM</b> Red Letters on Mirrored Background	<b>WH</b> White <b>BA</b> Brushed Aluminum

### Notes:

1. Single face only