



CATALOG NUMBER	TYPE
PROJECT NAME	DATE

## SPECIFICATIONS

### FEATURES

- Stainless steel exit sign with a polycarbonate shield and optional waterproof gasket

### CONSTRUCTION

- Stainless steel exit
- VRS option includes tamperproof mounting screws
- 4x option includes neoprene gaskets suitable for hose-down applications
- EXIT letters are 6" tall with 3/4" stroke; 100 ft viewing distance

### LAMP

- AllnGaP LEDs with a rated life of 10+ years

### ELECTRONICS

- Dual-voltage input capability: 120/277V
- Low-voltage disconnect
- AC indicator light with test switch
- Brownout protection

### BATTERY

- EM option comes standard with nickel-cadmium battery, and provides a minimum of 90 minutes of illumination upon loss of power
- Operating temperature range: 10-40° C

### COMPLIANCE

- Meets or exceeds UL 924, NFPA 101, NEC and OSHA illumination standards

### WARRANTY

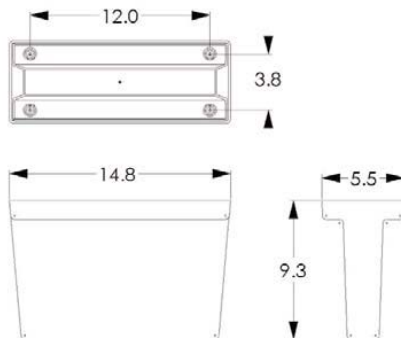
- 5-year warranty on housing and electronics. Battery is prorated

## SST-VRS-4X

NEMA 4X STAINLESS STEEL EXIT SIGN



## DIMENSIONS



## ORDERING GUIDE

MODEL	MOUNTING	TYPE	LETTER COLOR	STENCIL COLOR	POWER CONFIGURATION	OPTIONS
SST	C Ceiling E End W Wall	VRS Vandal Resistant 4X Water Resistant	R Red G Green	W White B Black S Stainless	AC AC Only EM Emergency DI Two Transformer Input	TPS Tamperproof Screws TPSD Tamperproof Screwdriver 220 220 VAC