



| | |
|----------------|------|
| CATALOG NUMBER | TYPE |
| | |
| PROJECT NAME | DATE |
| | |

SPECIFICATIONS

FEATURES

- Thermoplastic emergency light with ribbed spread lens
- Fast, easy installation
- Part of Astralite's quick ship program

CONSTRUCTION

- UV-stable, impact-resistant thermoplastic housing; meets UL94V-0 flame rating

LAMP

- Utilizes two 6W krypton lamps in emergency mode

ELECTRONICS

- Dual-voltage input capability: 120/277V
- Low-voltage disconnect
- AC lockout installation
- AC indicator light with test switch
- Brownout protection

BATTERY

- Lead-Calcium battery is standard and provides a minimum of 90 minutes of illumination in emergency mode
- Operating temperature range: 10-40° C

COMPLIANCE

- Meets or exceeds UL 924, NFPA 101, NEC and OSHA illumination standards

WARRANTY

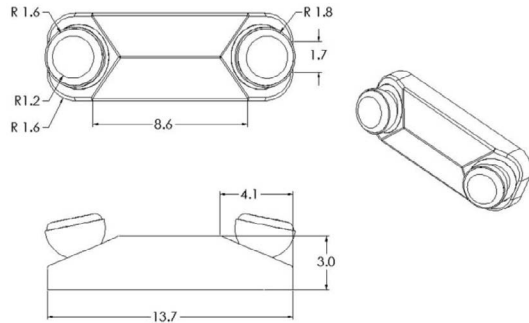
- 5-year warranty on housing and electronics. Battery is prorated

EU-Q

THERMOPLASTIC EMERGENCY LIGHT



DIMENSIONS



ORDERING GUIDE

MODEL

HOUSING FINISH

EU-Q
Thermoplastic Emergency Light

W White Housing
B Black Housing