



CATALOG NUMBER	TYPE
PROJECT NAME	DATE

SPECIFICATIONS

FEATURES

- Contractor's choice thermoplastic EXIT-EM combo
- Sleek, compact design
- Designed for wall and ceiling mounting
- Optional remote capability: 3W at 3.6V
- Part of Astralite's quick ship program

CONSTRUCTION

- UV-stable, impact-resistant thermoplastic housing; meets UL94V-0 flame rating
- Field selectable chevron directional indicator offers a choice of direction on-site
- EXIT letters are 6" tall with 3/4" stroke; 100 ft viewing distance

LAMP

- Utilizes two high-efficiency 1W LED heads in emergency mode; higher wattage lamps are available upon request, consult factory for more options
- Long-lasting high-output AllnGaP LEDs with a rated life of 10+ years

ELECTRONICS

- Dual-voltage input capability: 120/277V
- Brownout protection
- Low-voltage disconnect
- AC indicator light with test switch

BATTERY

- Nickel-cadmium battery is standard
- Provides a minimum of 90 minutes of illumination in emergency mode
- Operating temperature range: 10-40° C

COMPLIANCE

- Meets or exceeds UL 924, NFPA, NEC, and OSHA standards

WARRANTY

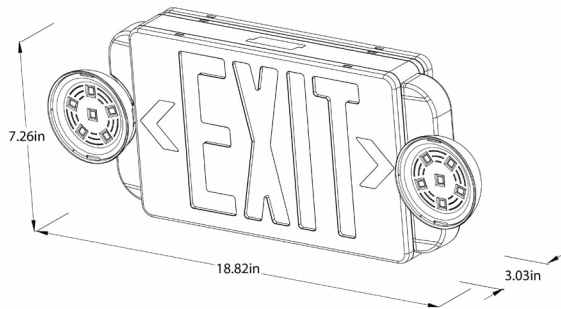
- 5-year warranty on housing and electronics. Battery is prorated

EEU-3-LED-CH

CONTRACTOR'S CHOICE THERMOPLASTIC COMBINATION UNIT



DIMENSIONS



ORDERING GUIDE

MODEL	LETTER COLOR	HOUSING COLOR	OPTIONS
EEU-3-LED-CH	G Green R Red	B Black W White	REM 3W 3.6V Remote Capability