

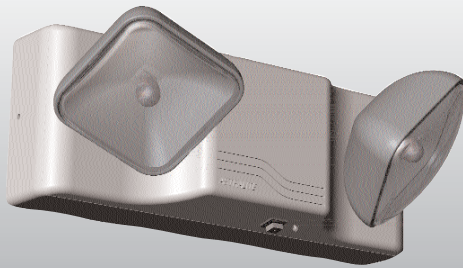


TYPE _____

CATALOG# _____

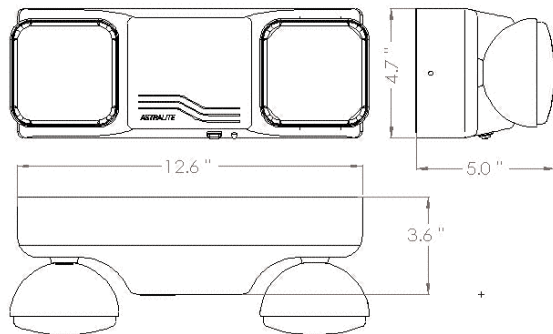
EU-2
6V 2 Head Emergency Unit
(Available with 10Watt Remote)

COMMERCIAL SERIES



EU-2

Wall Mount



Installation



Step 1
Install Back
Plate

Step 2
Push in
Housing

GENERAL DESCRIPTION

Redefining the aesthetic standards the industry has settled for in the past, the EU-2 commercial series product offers a high performance fully adjustable Life Safety product with a unique gently contoured thermo-plastic housing. Featuring 2 Tungsten T5 wedge base lamp heads designed to provide the highest levels of glare free illumination while blending nicely into any environment.

HOUSING

UV Stable Thermo- plastic flame retardant meets UL standard 95-VA. Standard white or black finish (matches all products in same family) features the industry's fastest installation in two easy steps where as the contractor never has to access the unit internally. Back mounting plate can be installed at rough in while main unit can be simply snapped into place after final touchups have taken place.

ILLUMINATION

Two 5.4 Watt 6V lamps mounted in precision formed photometrically optimized reflector assemblies exceed illumination required by UL 924. The soft etched lens eliminates glare and striation often associated with prismatic spread lenses while providing even distribution along areas of egress.

ELECTRONICS & BATTERY

Dual 120/277 VAC transformer input Voltage facilitates the fully automatic Solid State charging system which features (LVD) Low Voltage Disconnect, AC lockout installation, brown out protection and AC indicator LED light with push to test is standard. The maintenance free Sealed Lead Calcium battery provides a minimum of 90 minutes of illumination in emergency mode with an average life of 5 years. Optional Nickel Cadmium battery also available.

CODE COMPLIANCE

Tested and Listed to UL 924 for damp location, meets or exceeds NFPA, NEC, and OSHA illumination standard.

WARRANTY

5 years on housing and electronics with a 5 year pro rated warranty on battery.

EU-2
 MODEL

HOUSING COLOR

- W White
- B Black

FACTORY INSTALLED
 OPTIONS

- 220 220 VAC Input
- LC Line Cord (3FT)
- NC Nicad Battery
- AM Ammeter
- VM Voltmeter
- SD Self Diagnostics
- REM 10watt remote
- **TD Time Delay

** TD Must Specify AC Input Voltage and Delay Time in Minutes.

