



TYPE \_\_\_\_\_

CATALOG# \_\_\_\_\_

TP AP (Thermo-Plastic Astra Path)  
Architectural Indoor Thermo-Plastic  
Emergency Unit

ARCHITECTURAL SERIES



TP AP

GENERAL DESCRIPTION

The Astra Path Series emergency unit provides a sleek modern profiled design. Different finishes are available to lend itself and the rest of this family of high end exit and emergency products to accentuate any custom interior design where style is the difference.

HOUSING

Injection molded thermo plastic construction provides style and durability for any application. Available in a variety of finish colors. \*See below for details. \*\*Also available in Die-Cast option.

ILLUMINATION

Two Integral bi-pin xenon lamps provide more than 1fc in at least 2 points on floor (as required by UL 924) as well as superior color rendering capabilities. See options below or consult factory for specific requirements.

ELECTRONICS

Dual Voltage 120/277 VAC input facilitates the fully automatic Solid State charging system which features (LVD) Low Voltage Disconnect, AC lockout installation, brown out protection standard. Supplied with standard maintenance free sealed Lead-Calcium battery. Provides a minimum of 90 minutes of illumination in emergency mode with an average life of 5 years. Optional Nickel Cadmium battery also available. Damp location (0°C - 40°C) standard.

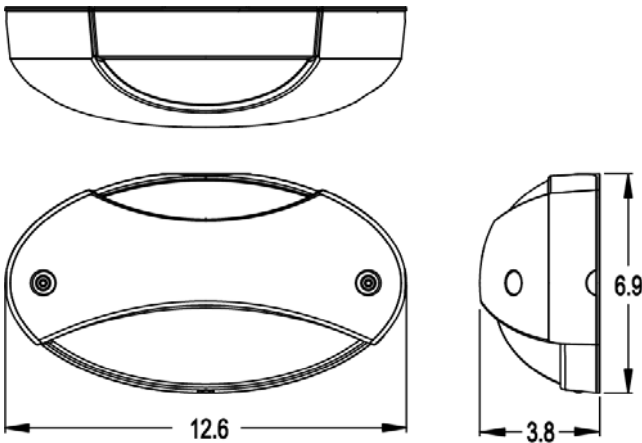
CODE COMPLIANCE

Tested and Listed by ETL to UL 924 for damp location, meets or exceeds NFPA, NEC, and OSHA illumination standard.

WARRANTY

5 years on housing and electronics with a 5 year pro rated warranty on battery.

DIMENSIONS



TP AP

Model

\_\_\_\_\_

Housing Finish

WH: \* White  
BK: Black

Consult factory for special colors.

\*standard

\_\_\_\_\_

Factory Installed - Options

SD: Self-Diagnostic / Self-Testing  
N: Ni-Cd Battery



AR 005C