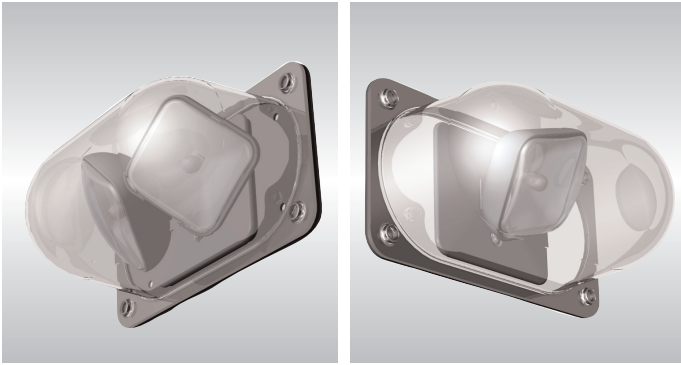




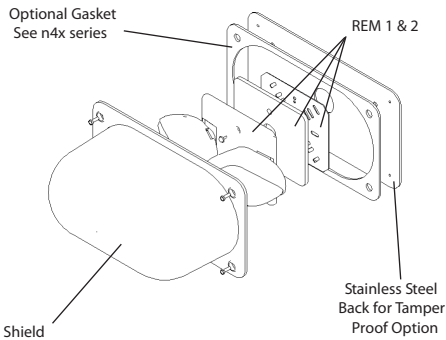
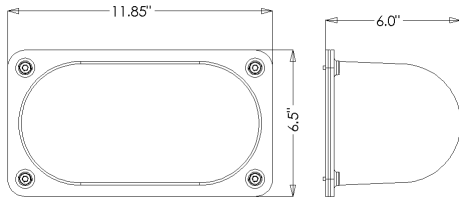
TYPE \_\_\_\_\_

CATALOG# \_\_\_\_\_

REM-VRS/4x  
Vandal/Hose Down Rated Remote Heads



DIMENSIONS



APPLICATION/DESCRIPTION

Astralite has combined durability and style with dedicated mounting of this vandal and impact resistant series of remote emergency lighting. This product is designed to blend nicely in any environment without obstructive oversized guards or cages. Use in gymnasiums, schools, and correctional facilities or anywhere rugged vandal resistant protection is required.

HOUSING

Injection molded UV stabilized (.140") Thick polycarbonate precisely formed low profile dedicated to enclose our REM Series remote emergency lights. Virtually indestructible. Universal mounting is quick and easy with .100" thick stainless steel back plate. Fully assembled and pre-wired at factory.

VRS option includes Tamper Proof Mounting Screws.

4x Option includes Neoprene Gaskets suitable for Hose-down applications

ILLUMINATION

Clear even illumination with no striation is provided with your choice of 1 or 2 6V 5.4 Watt T5 wedge base tungsten lamps integral with a fully adjustable weather proof thermo-plastic housing.

CODE COMPLIANCE

Tested and listed to UL 924. Meets or exceeds NAPA, NEC, and OSHA illumination standards.

WARRANTY

5 years on housing and electronics.

VANDAL & NEMA SERIES

REM							
Model	Type	No. of Heads	Lamp Wattage	Lamp Voltage	Color	Factory Installed Options	
VRS= Vandal Resistant		1= 1 Head 2= 2 Heads	A = 5.4w Incandescent B = 7.2w Incandescent C = 10w Halogen	6=6V 12=12V	W White B Black	TPSD	Tamper proof Screw Driver
4x = Water Resistant			Other Wattages Available Consult Factory.			*TPS	Tamper proof Screws
						*Standard on VRS	

