



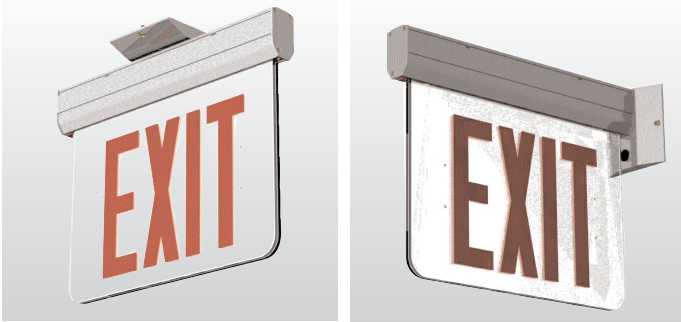
TYPE \_\_\_\_\_

CATALOG# \_\_\_\_\_

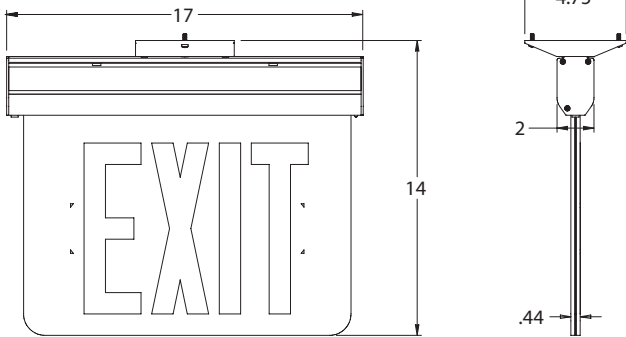
## ELX8-USM (Universal Mounting) EXTRUDED ALUMINUM LED EDGE-LIT EXIT

Ceiling Mount

End Mount



### DIMENSIONS



#### GENERAL DESCRIPTION

The ELX-8 -Edge-Lit Exit provides a thin profile design that complements upscale commercial or retail architectural applications. Illumination is provided utilizing the highest quality LEDs (AllnGaP) for even light distribution and trouble free operation.

#### HOUSING

This unit features Universal surface mounting, ELX-8-USM consists of an extruded aluminum body with a die cast mounting canopy. Universal surface mount, ELX-8-USM.

#### TRIM PLATE

Extruded aluminum with standard brushed finish available in your choice of anodized or powder coated finishes. (See Options below)

#### FACE DESIGN

The face design features 8" letters . Directional indicators are custom field installable type.

#### ILLUMINATION

The Light Style edge-lit utilizes high-output AllnGaP LEDs with rated lamp life of 10+ years. Unit draws less than 3 Watts.

#### ELECTRONICS

Standard transformer input is dual voltage 120/277 60Hz. EM option features solid state design with Low Voltage Disconnect (LVD), AC lockout, brown out protection, and AC indicator LED with test switch. Provides 90 minutes of illumination upon loss of power. Battery is maintenance free Nickel Cadmium with an estimated service life of 7 years operating within temp of 10° C to 40° C.

#### CODE COMPLIANCE

UL 924 listed. Also meets NFPA, NEC, and OSHA illumination standard.

#### WARRANTY

5 years on housing and electronics with a 7 year pro rated warranty on battery.

LIGHT STYLE SERIES™

ELX-8	USM						
Model	Mounting	No. of Faces	Letter Color/ Background	Trim-extrusion Colors/finish	Unit Power Configurations	Factory Installed Options	
Universal Surface Mount	1=Single 2=Double	RC=Red on Clear** RW=Red on White RM=Red w/ Mirrored  **single face only	*BA WHT BLK D BR  *Standard	Brushed Aluminum Powder Coated White Powder Coated Black Dark Bronze Finish Brass Type Face Plate	AC= AC ONLY.  EM = 90 minutes of emergency operation.  2CKT= Two Circuit input.	SW = Special Wording  *PK-ELX = Pendant  Note: * See accessories section for detail	

