



TYPE _____

CATALOG# _____

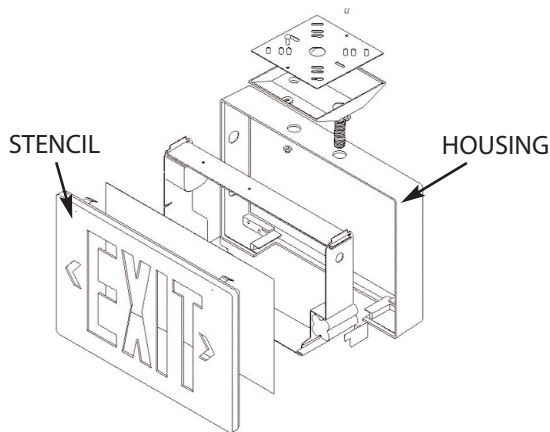
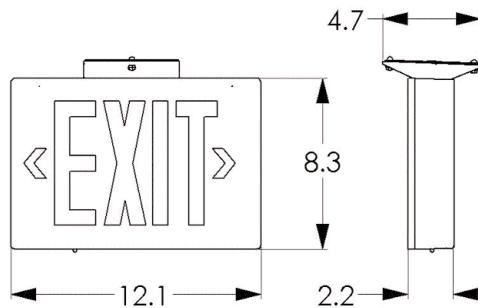
CA Cast Aluminum LED Exit Sign

DIE CAST LIGHT STYLE™ SERIES



CA

DIMENSIONS



GENERAL DESCRIPTION

Longevity, durability, and reliability make the Model CA Cast Aluminum exit sign the right choice for schools, theaters, hospitals or any commercial or industrial application where high strength construction is preferred. Installation is a snap with Molex™ connector internal wiring. Clean bright illumination is provided by the highest quality LED's. A Variety of finishes are available (See ordering info.)

HOUSING

High strength cast aluminum, low profile design, with hinged face-plate and field selectable chevrons. End, Ceiling or Wall mount options install in minutes. Signage is 6" letters with 3/4" stroke.

ILLUMINATION

Long lasting high output ALInGaP LED's with the highest performance and least degradation available in the market with a rated life of 10 years plus.

ELECTRONICS

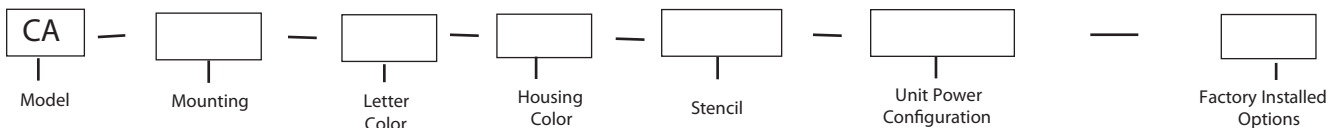
AC only and emergency operation options available. Emergency operation units provided with solid state design with low voltage disconnect, AC lockout, brown out protection, and AC indicator test switch. Battery is sealed maintenance free Nickel Cadmium with an estimated service life of 7 years. Circuitry is constant current design and recharge time is less than the required UL 924 standard. All nits are standard dual voltage 120/277 and draw less than 3 watts. Full Self-Diagnostics circuitry also available.

CODE COMPLIANCE

Tested and Listed to UL 924 for damp location, meets or exceeds NFPA, NEC, and OSHA illumination standard.

WARRANTY

5 years on housing and electronics with a 7 year pro rated warranty on battery.



<p>-1 Single Face Wall Mount</p> <p>-1C Single Face with Canopy</p> <p>-2C Double Face with Canopy</p>	<p>R Red</p> <p>G Green</p>	<p>W White</p> <p>B Black</p>	<p>BA Brushed Aluminum</p> <p>W White</p> <p>B Black</p>	<p>AC AC Only</p> <p>EM Emergency</p> <p>DI Two Transformer input</p>	<p>FL Flasher Only (Battery Units Only) Flashes When Unit Goes Into Emergency Condition</p> <p>FA Fire Alarm Panel Interface (AC and Battery Units)Flashes in Both Modes When Signal From Fire Alarm Panel is Received (6 to 24 VDC)</p> <p>FLA FL Option W / Audible Alarm (Battery Units Only)</p> <p>FAA FA Option With Audible alarm</p> <p>TMP Tamper Proof Screws</p> <p>TMPD Tamper Proof Screw Driver</p> <p>SD Self Diagnostic</p>
--	-----------------------------	-------------------------------	--	---	---



20 Pocono Rd. Brookfield, CT. 06804 Tel: 800-832-5483 ~ Fax: 203-775-0797