

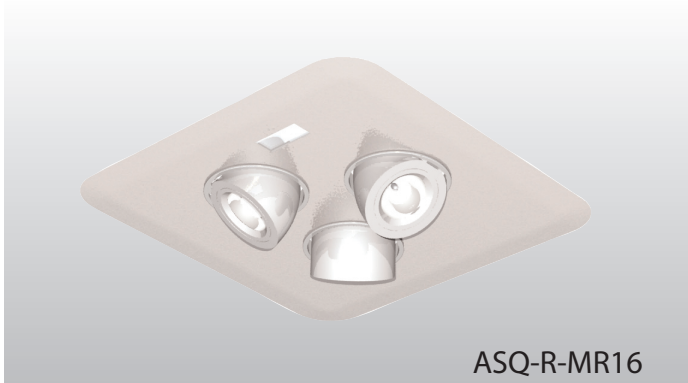


TYPE _____

CATALOG# _____

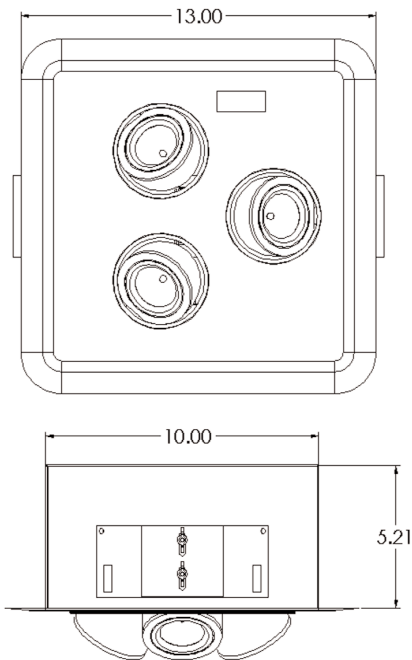
ASQ-R-MR16 Remote-Capable Recessed Mount

LIGHT STYLE™ SERIES



ASQ-R-MR16

Recessed Mount



GENERAL DESCRIPTION

Designed for commercial area lighting, the ASQ-R-MR16 recessed emergency light packs more power and reliability than any other similar type unit on the market today. The unit is driven by three MR-16 lamps, providing a strong even punch of light, and is ideal for most indoor applications.

HOUSING

Rugged Galvanized steel construction features a low profile design, providing ease of installation. The unit features an attractive die formed aluminum powder coated decorative trim bezel in standard matte white. Consult factory for available custom colors and finishes. Optional mounting bars (CAD-24) facilitate expedient installation in suspended ceilings.

ILLUMINATION

ASQ-R-MR16 utilizes three 10 watt MR-16 halogen lamps mounted within a cast aluminum housing with fully adjustable telescoping lamp allowing the unit to be adjusted to cover 360 degrees. The 50 Watt (60 Watt) unit can remote up to an additional 30watts.

ELECTRONICS & BATTERY

Standard transformer input is dual voltage 120/277 60Hz. The charging system features Low Voltage Disconnect (LVD), AC lockout installation, brown out protection, and standard AC indicator LED light. With an average life of 5 years, the maintenance free sealed lead calcium battery provides a minimum of 90 minutes of illumination in emergency mode. Optional Nickel Cadmium battery is also available.

CODE COMPLIANCE

UL 924 Tested and Listed. Meets and or exceeds NFPA, NEC, and OSHA illumination standards.

WARRANTY

5 years on housing and electronics with a 5 year pro rated warranty on batteries.

